

# Patents, Designs, and Trade Marks

## SUPPLEMENT

### TO THE

# NEW ZEALAND GAZETTE

TO THE

OF

THURSDAY, AUGUST 24, 1911.

Published by Authority.

WELLINGTON, THURSDAY, AUGUST 24, 1911.

### CONTENTS.

	Page
International and Intercolonial Arrangements for the Mutual Protection of Patents and Trade Marks ..	2643
Applications for Letters Patent filed .. ..	2644
Complete Specifications filed after Provisionals ..	2645
Complete Specifications accepted .. ..	2645
Provisional Specifications accepted .. ..	2648
Letters Patent sealed .. ..	2648
Letters Patent on which Fees have been paid ..	2649
Subsequent Proprietors of Letters Patent registered	2649
Request for Correction of Clerical Error in Application for Letters Patent .. ..	2649
Applications for Letters Patent abandoned ..	2649
Applications for Letters Patent void .. ..	2649
Designs expired .. ..	2649
Applications for Letters Patent lapsed .. ..	2649
Letters Patent void .. ..	2650
Applications for Trade Marks filed .. ..	2650
Applications for Registration of Trade Marks ..	2650
Trade Marks registered .. ..	2653
Trade Mark Renewal Fees paid .. ..	2654
Trade Marks removed from the Register .. ..	2654
Subsequent Proprietors of Trade Marks registered ..	2654
Application for Trade Mark withdrawn .. ..	2654

### International and Intercolonial Arrangements for the Mutual Protection of Patents and Trade Marks.

#### INTERNATIONAL CONVENTION.

THE following countries now belong to the Convention :—

- |                                     |  |
|-------------------------------------|--|
| Australia.                          | Hungary.                               |
| Austria.                            | Italy.                                 |
| Belgium.                            | Japan.                                 |
| Brazil.                             | Mexico.                                |
| Ceylon.                             | New Zealand.                           |
| Cuba.                               | Norway.                                |
| Denmark and Faroe Islands.          | Portugal, with the Azores and Madeira. |
| Dominican Republic.                 | Servia.                                |
| France, with Algeria and colonies.  | Spain.                                 |
| Germany.                            | Sweden.                                |
| Great Britain.                      | Switzerland.                           |
| Holland, with East Indian colonies. | Trinidad and Tobago.                   |
| Curaçoa, and Surinam.*              | Tunis.                                 |
|                                     | United States of America.              |

\* Trade marks only.

Separate arrangements have been made between Australia and New Zealand.

Particulars of the Convention and of such arrangements may be seen in the following *Gazettes* :—

Notification of adherence of New Zealand to the Convention, with text thereof (in English), in the *Gazette* of 26th November, 1891; notification of adherence of New Zealand to the Additional Act of the Convention, in *Patents Supplement to Gazette* No. 101, of the 16th November, 1905; Order in Council applying section 103 of the Imperial Act to New Zealand, in *Gazette* No. 27, of the 15th May, 1890; Orders in Council containing arrangements between Australia and New Zealand, in *Patent Supplements to the Gazette* Nos. 22, of the 9th March, 1905, and 38, of the 20th April, 1905.

## Applications for Letters Patent filed.

LIST of applications for Letters Patent filed. (Where a complete specification accompanies an application an asterisk is affixed; in all other cases a provisional specification has been lodged. In all cases where the applicant is not the inventor the name of the latter appears in italics in brackets. † Denotes an application under the International and Intercolonial Arrangements.)

McLachlan, J., Upper Hutt, N.Z.	.. .. .	Sprinkler; 29963; 4th August.
Coombe, J., Waitotara, N.Z.	.. .. .	Punch; 29964; 4th August.
King, G. E., Dargaville, N.Z.	.. .. .	Wet back for steam-boiler*; 29965; 5th August.
Farrelly, R. G., Paeroa, N.Z.	.. .. .	Cow's-tail holder*; 29966; 5th August.
Norton, G. F., Ngaio, N.Z.	.. .. .	Casement, &c., lock and stay; 29967; 5th August.
Hutchinson, J. H., Auckland, N.Z.	.. .. .	Vehicle forecarriage; 29968; 3rd August.
Stewart, R., Tokomaru, N.Z.	.. .. .	Flax-dresser; 29969; 5th August.
Bannister, A. R., Gisborne, N.Z.	.. .. .	Variable-speed gear; 29970; 31st July.
Johns, T. G., Gisborne, N.Z.	.. .. .	Variable-speed gear; 29970; 31st July.
Stewart, J., Invercargill, N.Z.	.. .. .	Label, 29971; 3rd August.
Arnab Idi, J., Auckland, N.Z.	.. .. .	Venetian blind; 29972; 4th August.
Dix, H. C., Melbourne, Vic. ( <i>Callahan, R.</i> )	.. .. .	Gate, &c., 29973; 4th August.
Edmonds, G. R., Sydney, N.S.W.	.. .. .	Educational appliance*; 29974; 10th October, 1910.†
Murray, D., Mosgiel, N.Z.	.. .. .	Chain link or buckle; 29975; 5th August.
Murray, W., Mosgiel, N.Z.	.. .. .	Chain link or buckle; 29975; 5th August.
Sabroe, T. T., Copenhagen, Den.	.. .. .	Milk pail*; 29976; 7th August.
Williams, J., Olney, Eng.	.. .. .	Carburetor*; 29977; 7th August.
Marchant, F. S., Wellington, N.Z.	.. .. .	Crank-pin, &c., turning; 29978; 7th August.
Sorg, W. A., Minneapolis, U.S.A.	.. .. .	Internal-combustion engine*; 29979; 7th August.
Macpherson, J., Auckland, N.Z.	.. .. .	Acetylene-generator; 29980; 5th August.
Murray, A., Geelong, Vic.	.. .. .	Wool, &c., dyeing*; 29981; 5th August.
Deumer, E. A., Richmond, Vic.; Müller, K. F., Kinglake, Vic.; Whybroure A., Melbourne, Vic. ( <i>Deumer E. A., Müller, K. F., and Grubb, J. C.</i> )	.. .. .	Vehicle forecarriage*; 29982; 8th August.
United Shoe Machinery Company, Paterson, U.S.A. ( <i>Meyer, W. C.</i> )	.. .. .	Inseam-sewing machine; 29983; 8th August.
United Shoe Machinery Company, Paterson, U.S.A. ( <i>Bates, A.</i> )	.. .. .	Sole-sewing machine; 29984; 8th August.
Security and Holding Company, San Francisco, U.S.A. ( <i>Alling, J. H.</i> )	.. .. .	Gold-recovery*; 29985; 8th August.
Blyth, G. H., Wellington, N.Z.	.. .. .	Fencing, &c., post; 29986; 8th August.
Levinge, H. M., Okato, N.Z.	.. .. .	Wrecks, &c., locating; 29987; 8th August.
Larcomb, E., Wellington, N.Z.	.. .. .	Tire-cover; 29988; 8th August.
Clayton, E. M., Manurewa	.. .. .	Incubator egg-turning*; 29989; 9th August.
Scott, W. H., Dunedin, N.Z.	.. .. .	Spouting-nail; 29990; 7th August.
Scott, W. H., Dunedin, N.Z.	.. .. .	Match; 29991; 7th August.
Wotton, R. K., Timaru, N.Z.	.. .. .	Clamp; 29992; 7th August.
Moss, E., Christchurch, N.Z.	.. .. .	Thermostat setting; 29993; 8th August.
Haydon, G. A., Auckland, N.Z.	.. .. .	Lock-nut; 29994; 9th August.
Neville, H., Wellington, N.Z.	.. .. .	Fire-alarm; 29995; 9th August.
Maddox, H. N., Wellington, N.Z.	.. .. .	Fire-alarm; 29995; 9th August.
Bower, S. M., Wanganui, N.Z.	.. .. .	Milk-sampler*; 29996; 9th August.
Ford, A. S., Coromandel, N.Z.	.. .. .	Benzine-gas generator; 29997; 10th August.
Forbes, V. B., Auckland, N.Z.	.. .. .	Peg-top and spinner; 29998; 7th August.
Mathews, R. E. N., Auckland, N.Z.	.. .. .	Peg-top and spinner; 29998; 7th August.
Allan, A. T. W., Auckland, N.Z.	.. .. .	Gold-saving table; 29999; 8th August.
Neville, H., Wellington, N.Z.	.. .. .	Axe-head fastener; 30000; 10th August.
Maddox, H. N., Wellington, N.Z.	.. .. .	Axe-head fastener; 30000; 10th August.
Neville, H., Wellington, N.Z.	.. .. .	Tongs; 30001; 10th August.
Maddox, H. N., Wellington, N.Z.	.. .. .	Tongs; 30001; 10th August.
Neville, H., Wellington, N.Z.	.. .. .	Broom-head attaching; 30002; 10th August.
Maddox, H. N., Wellington, N.Z.	.. .. .	Broom-head attaching; 30002; 10th August.
Robertson, J., Dunedin, N.Z.	.. .. .	Spade, &c., footpiece; 30003; 8th August.
Taylor, T. A. A., Herbetville, N.Z.	.. .. .	Kerosene-tin handle; 30004; 10th August.
Northcott, F. J., Christchurch, N.Z.	.. .. .	Milk-receiver; 30005; 10th August.
Wright, A. H., Auckland, N.Z.	.. .. .	Advertising-display sheet; 30006; 8th August.
Levien, N. B., Auckland, N.Z.	.. .. .	Door, &c., latch; 30007; 11th August.
Chapman, C., Dunedin, N.Z.	.. .. .	Aeroplane; 30008; 9th August.
Cochran, D. S., Auckland, N.Z.	.. .. .	Ship's-cabin rolling prevention; 30009; 10th August.
Webb, J. A., Auckland, N.Z.	.. .. .	Ship's-cabin rolling prevention; 30009; 10th August.
Wooler, F. M., Auckland, N.Z.	.. .. .	Calendar and tradesman's list; 30010; 10th August.
Stewart, J., Gore, N.Z.	.. .. .	Reaper-and-binder draught-attachment; 30011; 10th August.
Garrett, E. J., Kaikoura, N.Z.	.. .. .	Sheep, &c., brand; 30012; 12th August.
Hill, A., Christchurch, N.Z.	.. .. .	Tree-felling; 30013; 12th August.
Maude, T., Christchurch, N.Z.	.. .. .	Tree-felling; 30013; 12th August.
Brown, D., White Cliffs, N.Z.	.. .. .	Tap; 30014; 12th August.
Taylor, J., Ashburton, N.Z.	.. .. .	Boot, &c., heel-stiffener; 30015; 12th August.
Akers, A. M., Christchurch, N.Z.	.. .. .	Hatpin-protector; 30016; 12th August.
Little, D., Christchurch, N.Z.	.. .. .	Castrating-appliance; 30017; 12th August.
Black, S., Waiuku, N.Z.	.. .. .	Saucepan-burning prevention; 30018; 11th August.
Edgar, H., Waipi, N.Z.	.. .. .	Lock; 30019; 11th August.
Taylor, W. J., Timaru, N.Z.	.. .. .	Broom-handle; 30020; 11th August.
Jensen, F., Copenhagen, Den.	.. .. .	Ship-propulsion*; 30021; 11th August.
Wilkinson, M., Auckland, N.Z.	.. .. .	Playing card; 30022; 14th August.
Mitchell, H., Orange, N.S.W.	.. .. .	Building-block; 30023; 15th August.
Anderson, J., Tavorot, Scot.	.. .. .	Propeller, &c., feathering*; 30024; 18th August, 1910.†
Sturrock, A., Melbourne, Vic. ( <i>Rice, H. W.</i> )	.. .. .	Wire-bound box*; 30025; 15th August.
Jones, J. R., Gisborne, N.Z.	.. .. .	Mear, &c., rail switch; 30026; 15th August.
Caldwell, R. W., Christchurch, N.Z.	.. .. .	Soldering-cans; 30027; 15th August.
Langdon, W., Christchurch, N.Z.	.. .. .	Soldering-cans; 30027; 15th August.
Parkin, A., Christchurch, N.Z.	.. .. .	Soldering-cans; 30027; 15th August.
Swift-cut Timber, Limited, London, Eng. ( <i>Bratt, C. E.</i> )	.. .. .	Cask, &c., save*; 30028; 15th August.
Bowick, R. C., Hunterville, N.Z.	.. .. .	Railway spiking, &c., bar; 30029; 15th August.
Hunter, G. M., Waimea West, N.Z.	.. .. .	Wire-strainer*; 30030; 14th August.
British Drug Houses, Limited, London, Eng. ( <i>Brown, H.</i> )	.. .. .	Suppository*; 30031; 14th August.
Harvey, N., Wellington, N.Z.	.. .. .	Electrical controller; 30032; 16th August.

Grabham, A. I., Wellington, N.Z.	Electrical controller; 30032; 16th August.
Newman, J. G., Sydney, N.S.W.	Gas, &c., engine spark*; 30033; 10th November, 1910.†
Clarke, J. H., Broken Hill, N.S.W.	Elevator-bucket attaching*; 30034; 13th September, 1910.†
Innes, W. R. D., Melbourne, Vic.	Sleeper*; 30035; 16th August.
Horton, A., Timatanga, N.Z.	Nail, &c., handling; 30036; 16th August.
Lambert, J. A., Timatanga, N.Z.	Nail, &c., handling; 30036; 16th August.
Jorgensen, A. G., Wellington, N.Z.	Hammer-protector; 30037; 16th August.
Foster, T., Christchurch, N.Z.	Variable gear; 30038; 15th August.
Brandon, C. W., Dunedin, N.Z.	Switch transformer; 30039; 14th August.
Ward, H. E., Greymouth, N.Z.	Incubator-heat regulator; 30040; 12th August.
American Graphophone Company, Bridgeport, U.S.A. (Emerson, V. H.)	Sound-record; 30041; 17th August.
Whimp, T. H., Hastings, N.Z.	Shovel-tread; 30042; 17th August.

**Complete Specifications filed after Provisionals.**

**L**IST of complete specifications filed after provisional specifications from the 4th August to the 17th August, 1911, inclusive:—

- No. 28540.—F. V. Raymond, flax-treatment.
- No. 28578.—G. H. Baylis, hair-pad.
- No. 28692.—W. L. H. Burgess, venetian blind.
- No. 28694.—J. C. P. Kirkwood, electric heating, &c., controller.
- No. 28702.—J. R. C. Jones, vehicle-brake.
- No. 28703.—United Shoe Machinery Company, heeling-machine. (A. E. Jerram, J. Gouldbourn, and A. Bates.)
- No. 28709.—United Shoe Machinery Company, pulling-over machine. (O. Ashton.)
- No. 28711.—United Shoe Machinery Company, work-support. (L. A. Casgrain.)
- No. 28717.—R. Paladini, blind-cord holder, &c.
- No. 28722.—J. Greenslade, threshing-machine suction-fan.
- No. 28752.—W. E. Hunter, wire-strainer.
- No. 28843.—United Shoe Machinery Company, nail-making machine. (M. Brock.)
- No. 28844.—United Shoe Machinery Company, cutting-dies. (B. Pocock.)
- No. 28935.—J. Howcroft, axle-cap.
- No. 29658.—E. C. Woodford and J. McLay, milking-machine nulsator.
- No. 29873.—S. T. Hopkins, stop-cock.

**Notice of Acceptance of Complete Specifications.**

Patent Office,  
Wellington, 23rd August, 1911.

**C**OMPLETE specifications relating to the undermentioned applications for Letters Patent have been accepted, and are open to public inspection at this office. Any person may, at any time within two months from the date of this *Gazette*, give me notice in writing of opposition to the grant of any such patent. Such notice must set forth the particular grounds of objection, and be in duplicate. A fee of 10s. is payable thereon.

The copies of claims and extracts from the specifications and drawings are merely intended to give some further indication of the invention than is disclosed in the title, and the complete specifications and drawings should be referred to for a description of the invention.

No. 27889.—30th August, 1910.—EDWARD WOODWARD, of Dunedin, New Zealand. Carpenter. Improvements in propellers.\*

*Claim.*—In propellers of the class described, triangular covers the sternward edges of which form a complete circle, each of the said edges joining the outer extremity of the following edge of each blade to the outer extremity of the following edge of the preceding blade, substantially as described, and as shown in the drawing. (Specification, 2s. 9d.)

No. 28245.—12th August, 1910.—GEORGE CRAW, of Linton, New Zealand. Flax-miller. Improvements in or relating to flax-stripping apparatus.\*

*Claims.*—(1.) In apparatus for stripping New Zealand flax or other fibres, the combination with a flax-stripping machine of movable and self-adjusting drum-spindle plummer-blocks, for the purpose specified. (2.) In apparatus for stripping flax or other fibres, the combination with a flax-stripping

machine of movable drum-spindle plummer-blocks fitted with tensioned spring, as described and for the purpose specified. (3.) The apparatus in combination with a flax-stripping machine for treating flax and other fibres constructed and arranged substantially as described and explained, for the purposes set forth. (Specification, 2s. 3d.)

No. 28302.—22nd August, 1910.—JAMES DUGALD MATHE-SON, of Fairlie, New Zealand, Shepherd. Improvements in or relating to horse-bridles.\*

*Claims.*—(1.) In horse-bridles, a bit formed with a longitudinal extension at each end and provided with a ring at each end formed with a loop extending across its outer face, and cheek-straps passed down through the respective rings and around beneath the extensions of the bit and then rearwards to the reins, substantially as and for the purposes specified. (Specification, 3s.)

[NOTE.—Here follow two other claims.]

No. 28366.—31st August, 1910.—WILLIAM McRAE, of Hedgehope, New Zealand, Farmer. An improvement relating to ploughs.\*

*Extract from Specification.*—I provide a revolving disc (7) attached to the plough (2) by means of a bent shaft (6) and bearing (9), such shaft (6) being adjustable so as to regulate the depth to which the disc (7) is to work in the subsoil. (Specification, 1s. 6d.)

[NOTE.—The above extract from the specification is inserted in place of the claims.]

No. 28950.—5th January, 1911.—FRANCIS JAMES WEBBER FEAR, of 99 Willis Street, Wellington, New Zealand. Improvements in scissors, shears, and the like.

*Extract from Specification.*—According to the present invention, one blade is provided with a free-ended spring wall, whilst integral with or rigidly secured to the opposing blade is a wall which projects from the face of the blade, the object to be severed being gripped between the movable and stationary or fixed walls. (Specification, 4s.)

[NOTE.—The above extract from the specification is inserted in place of the claims.]

No. 29191.—1st March, 1911.—JAMES WARNE CHENHALL, of 3 Dart Villas, Totnes, Devonshire, England. Consulting Metallurgist. Improvements in crucible furnaces.

*Claims.*—(1.) In a crucible furnace of the type having its interior communicating with the ash-pit, and draught-holes through the lining thereof, characterized by the positioning of such draught-holes in tiers around the furnace, extending in range from about a point adapted to come opposite the middle of the pot or crucible and to extend to about its top, the combination therewith of a water-jacket adapted to surround the furnace-lining on its outer periphery and to extend in height from the base of the crucible to the top thereof, whereby the draught-holes and lining are protected, substantially as described. (Specification, 4s. 9d.)

[NOTE.—Here follow two other claims.]

No. 29364.—11th April, 1910.†—SAMUEL ARCHIBALD VASEY, of Beechcroft, Burnt Ash Lane, Bromley, Kent, England, Consulting Chemist. A soluble protein or albumen, and a process for the production of the same from meat-fibre or other insoluble protein matter.

*Claims.*—(1.) In the production of a soluble protein or albumen from meat-fibre or other insoluble protein matter, the dissolving of said protein matter in caustic soda or caustic potash and subsequently treating the liquid so obtained by the addition of acid calcium-phosphate or calcium-phosphate dissolved in phosphoric acid, the whole substantially as described. (Specification, 3s. 3d.)

[NOTE.—Here follow two other claims.]

No. 29497.—4th May, 1911.—**BENICIA IRON WORKS**, a corporation organized and existing under and by virtue of the laws of the State of Nevada, United States of America, and having its principal place of business in the City and County of San Francisco, State of California, its address being No. 433 Brannan Street, in said City and County of San Francisco, and being engaged in the business of manufacturing and selling agricultural implements (assignees of Edward Carl Bank, of 2856 Webster Street, Berkeley, California, United States of America, a salesman of agricultural implement). An adjustable plough-tongue.

*Claims.*—(1.) In a plough, the combination of a tongue, a draft-extension pivotally connected with the forward end of the tongue and adapted to be turned out of line therewith, a latch on the tongue adapted to engage the rear end of the draft-extension to lock it in position where set, a trip-lever on the tongue, and operating-connections between the trip-lever and locking latch. (Specification, 5s. 6d.)

[NOTE.—Here follow four other claims.]

No. 29519.—9th May, 1911.—**ALBERT EDWARD YOUNG**, Engineer, and **GEORGE GORDON HOLMES, Jun.**, Farmer, both of Christchurch, New Zealand. Device for use in sealing envelopes.\*

*Claims.*—(1.) An article of the class indicated, comprising a horizontal table mounted upon a suitable base, a flap hinged at its outer edge upon said base and adapted to be depressed so that its upper surface will be approximately in line with said table, a roller revolvably mounted along the abutting edge of said flap, a spring adapted to maintain said flap upward with the under-side of its roller in line with or above said table, and a moistening-device arranged in said base so as to come in contact with said roller when the flap is depressed, substantially as and for the purpose set forth. (2.) The device for use in sealing envelopes constructed, arranged, combined, and operating substantially as described and explained, and as illustrated in the drawings. (Specification, 2s.)

No. 29750.—20th June, 1911.—**RONALD SYDNEY BUCKMAN**, of Haydn Motor-works, Mansfield Road, Nottingham, Notts, England, Motor-manufacturer. Improvements in rotary valves for internal-combustion engines.

*Claims.*—(1.) In a rotary valve for internal-combustion engines, the employment of a ring-shaped curved seating, and of a split-spring ring having an inclined surface which bears against a similarly inclined surface on the said seating in such a manner that the radial expansion of the ring presses the seating against the periphery of the rotary valve, substantially as described. (Specification, 7s. 9d.)

[NOTE.—Here follow four other claims.]

No. 29754.—20th June, 1911.—**GEORGE CHARLES THOMAS**, of 2 Beach Bank Avenue, Liscard, Wallasey, Chester, England, Lieutenant, R.N.R., Retired. Improvements in apparatus for taking cinematographic or other photographs and projecting same.

*Claims.*—(1.) Photographic apparatus comprising the combination of a case or body adapted to receive at the front end a removable film-moving mechanism, a film-moving mechanism substantially as described, and means for focussing and constituting a combined cinematographic and ordinary photographic apparatus for taking cinematograph and ordinary photographs, substantially as described. (Specification, 14s.)

[NOTE.—Here follow ten other claims.]

No. 29761.—21st June, 1911.—**CLAUDE HUDSON DAVIS**, of Church Place, Wanganui, New Zealand, Engineer. An improved milk-release.

*Extract from Specification.*—According hereto, a can superposed upon another can has a valve at the bottom and a float valve at the top, by which communication can be had with the lower can. A milk-supply pipe and a vacuum pipe are connected to the top of the can. The lower can has a spring-operated valve at the bottom, and an air-valve at the top. The bottom valve also closes an air-pipe leading to the top of the can. (Specification, 5s. 3d.)

[NOTE.—The above extract from the specification is inserted in place of the claims.]

No. 29763.—21st June, 1911.—**UNITED SHOE MACHINERY COMPANY**, of Paterson, in the State of New Jersey, United States of America, a corporation duly organized under the laws of said State of New Jersey, carrying on business as Shoe-machinery Manufacturers, and having a place of business at 205 Lincoln Street, Boston, in the Commonwealth of Massachusetts, in said United States of America (assignees of Thomas Gustave Plant, of Boston aforesaid, Manufacturer). Improvements in or relating to sewing-machines.

*Claims.*—(1.) A chain-stitch inseam shoe-sewing machine having, in combination, stitch-forming devices, including a curved hooked needle and a looper, and means, acting automatically upon stopping the machine, to free the last needle-loop from the stitch-forming devices and bring the needle to rest out of engagement with the work. (Specification, 12s. 9d.)

[NOTE.—Here follow three other claims.]

No. 29764.—20th June, 1911.—**JAMES TRELOAR**, of Hamilton, Auckland, New Zealand, Engineer. Improved releaser for milking-machines.

*Extract from Specification.*—A receiving-receptacle is provided having an upper and a lower compartment, both compartments being provided with valves automatically operated by the weight of the milk, and a counterweight to allow the milk to escape from one compartment only at a time, and preventing the admission of air to the vacuum tubes. (Specification, 5s.)

[NOTE.—The above extract from the specification is inserted in place of the claims.]

No. 29770.—20th June, 1911.—**SAMUEL BARNINGHAM**, of George Street, Dunedin, New Zealand, Engineer and Iron-founder, &c. Improvements in adjustable school-desks.

*Claims.*—(1.) In adjustable combination school seats and desks furnished with provision for other school requirements, a main frame (at least one to each end of same) fitted with a rack and pawl for adjusting the height of the lower back rail and the seat, which is also capable of being turned up out of the way, with another rack and pawl for adjusting the height of the upper rail, shelf, and the desk, which is also capable of being turned up to form a blackboard, with provision for holding a slate, pencils, pens, &c., all substantially as shown on the drawing, and as described and explained. (2.) Mechanically equivalent means of raising and lowering the seat, back, and other furnishings attached to them, all substantially as set forth. (Specification, 2s. 6d.)

No. 29771.—23rd June, 1911.—**JAMES CALATHAN RUSSELL**, of Pittsburg, Pennsylvania, United States of America, Steel-manufacturer. An improved process and apparatus for treating rails, bars, and like articles.

*Claims.*—(1.) A process of treating rails and like longitudinally extended metal articles, consisting in moving the hot finished article longitudinally in such a manner that a portion thereof only (for example, the head only of a rail) passes through a bath of oil and then through a bath of water. (6.) An apparatus for carrying into practice the process claimed in any of claims 1 to 4, characterized by a trough having vertical and horizontal rolls for drawing the rail or like article through the bath in said trough and for holding the said article in alignment, substantially as described. (Specification, 10s. 3d.)

[NOTE.—Here follow six other claims.]

No. 29772.—30th August, 1910.† —**BLAUGAS - PATENT-GESELLSCHAFT**, m.b.H., of Augsburg, Germany (assignee of Hermann Blau, of 2 Rotenhammerstr, Augsburg aforesaid, Chemist). Improvements in and relating to the manufacture of illuminating-gas, and apparatus therefor.

*Claims.*—(1.) Method of avoiding losses in liquefiable gases in the manufacture of liquid illuminating-gas, characterized by the fact that gases that are not liquefied by pressure at approximately normal temperatures are subjected to artificial cooling to a temperature at which the maximum quantity of liquefiable constituents of the gas is separated from the permanent gases in liquid form. (Specification, 11s. 3d.)

[NOTE.—Here follow eleven other claims.]

No. 29773.—23rd June, 1911.—**BLAUGAS - PATENT-GESELLSCHAFT**, m.b.H., of Augsburg, Germany (assignees of Hermann Blau, of 2 Rotenhammerstr, Augsburg aforesaid, Chemist). Improved method of distilling crude petroleum oil, tar, and other liquids, and apparatus therefor.

*Claim.*—Method of and apparatus for distilling or gasifying crude petroleum, oil, tar, and other liquids in a generator which is periodically blown hot, characterized by the fact that the hot blowing of the apparatus, which begins in proximity to the discharge-place for the combustion-gases, is carried out retractively to the blowing-in place in order in this manner to avoid the escape of troublesome vapours at the beginning of the hot blowing, and by restricting or abolishing the period of after-distillation and after-gasification, to shorten the time occupied in the closed cycle of operations, and to render it possible to employ low working-temperatures in practice. (Specification, 6s.)

No. 29774.—2nd July, 1910.†—WILLIAM GEORGE GIBBINS, of 113 Earlham Grove, Forest Gate, Essex, England, Furrier. Improvements in washing, dyeing, and softening machines.

*Extract from Specification.*—The apparatus comprises a cylindrical or rectangular shaped vessel, portions of which may be perforated, mounted in suitably shaped frames or standards to swing or oscillate through 360° or thereabouts. The vessel may have an outer casing to contain the washing-liquor. A loose shaft passes through the centre of vessel, and bearing closely against, but not attached to, one side of this shaft, and parallel to it, is a partition that is fixed to the vessel and which moves with it. Mounted upon the opposite side of this shaft, and fixed to it, is a movable partition which can be oscillated through the shaft from the outside of vessel, be secured to the vessel, or be held vertical by springs. The partition, which is permanently fixed to the oscillating vessel, is built up of longitudinal ribs, some or all of which may be of convex shape, and the other partition of longitudinal ribs, some or all of which are of concave shape. An overflow arrangement is provided to allow the dirty water to pass out of the vessel while the clean is running in.

(Specification, 6s. 6d.)

[NOTE.—The above extract from the specification is inserted in place of the claims.]

No. 29775.—24th June, 1911.—THE SHREDDED WHEAT COMPANY, a corporation organized under the laws of the State of New York, one of the United States of America, carrying on business at the corner of Fourth Street and Buffalo Avenue, in the City of Niagara Falls, County of Niagara and State of New York aforesaid (assignees of Edward Loring Wallace, of Niagara Falls, Province of Ontario, Canada). Filamentous cereal biscuits.

*Claim.*—A filamentous cereal biscuit consisting of layers of cereal filaments of larger diameter in the lower portion of the biscuit, and layers of cereal filaments of smaller diameter in the upper and superincumbent portion, the component filaments of the biscuit being arranged in substantially parallel relation to each other, and bound together in form by adherence of the filaments together at the edges of the biscuit.

(Specification, 2s. 6d.)

No. 29782.—24th June, 1911.—COLLINGWOOD ARTHUR WHITCOMBE HARGRAVES, Gentleman, and FREDERIC CONRAD PATRICK FIDDY, Public Accountant, both of Gisborne, New Zealand. An improved solder for metals.

*Claims.*—(1.) A solder composed of lead, resin, sand, and common salt in approximately the proportions set forth. (2.) A solder composed of lead, resin, sand, common salt, and tin in approximately the proportions set forth.

(Specification, 1s.)

No. 29784.—28th June, 1911.—ERNEST JOHN BICKFORD, of "Carthona," Fern Street, Randwick, New South Wales, Australia, Furniture Expert. Improvements in steel seating.

*Extract from Specification.*—These present improvements comprise tempered strips of spring-steel plate cambered across the opening of the seat-frame (instead of a whole plate as formerly), and each of these strips supported at either end (to the frame) by double hinges, or preferably parallel swinging shackles having their members in sockets on bearings on the frame and on the strips respectively.

(Specification, 2s. 6d.)

[NOTE.—The above extract from the specification is inserted in place of the claims.]

No. 29790.—29th June, 1911.—WILLIAM JONATHAN NICOL, of Mill Street, St. Arnaud, Victoria, Australia, Mine-manager. Improved apparatus for washing or rinsing table utensils or like articles.

*Extract from Specification.*—The apparatus consists of a tank or vessel having a centrally disposed water raising and distributing device, adapted to repeatedly raise water from a well in said tank or vessel and deliver same in jets or sprays of considerable force over the table utensils or like articles, which are stacked within said tank in a rack which is preferably revolvable to facilitate stacking and emptying.

(Specification, 5s. 3d.)

[NOTE.—The above extract from the specification is inserted in place of the claims.]

No. 29792.—12th September, 1910.†—THOMAS EDWARDS, of Webster Street, Ballarat, Victoria, Australia, Metallurgist. Improved hearth for cooling ores or other materials proceeding from calcining or roasting furnaces.

*Claims.*—(1.) In a cooling-hearth for ores or other materials from calcining or roasting furnaces comprising a hearth with rabbles arranged to rotate thereon in intersecting paths, the combination with said rabbles of a spraying-device rotating therewith, and of means for supplying a cooling medium thereto, preferably slightly in advance of such rabbles in the direction of their rotation, substantially as specified.

(Specification, 5s.)

[NOTE.—Here follow three other claims.]

No. 29793.—12th September, 1910.†—THOMAS EDWARDS, of Webster Street, Ballarat, Victoria, Australia, Metallurgist. Furnaces for calcining or roasting mineral ores and desulphurizing the same.

*Claims.*—(1.) In a roasting-furnace, the combination with a working-hearth over which rabbles are caused to rotate in intersecting paths, of a flue conducting gases directly over the working-hearth, dampers at an intermediate point in the length thereof obstructing such flue while permitting the passage of the rabbles beneath same, a separate flue above the working-hearth and another separate flue below said hearth, a chamber at the feed-end with which all three flues communicate, and a chamber at the opposite end with which the separate top and bottom flues communicate, firing-furnaces for said flues, an opening between the working-hearth flue and the upper flue, and a bustle-pipe or outlet-flue communicating with the upper flue at a point in advance of that where the dampers are situated and where said upper flue is obstructed, substantially as and for the purposes specified.

(Specification, 10s. 6d.)

[NOTE.—Here follow six other claims.]

No. 29794.—10th October, 1910.†—THOMAS EDWARDS, of Webster Street, Ballarat, Victoria, Australia, Metallurgist. Improvements in and connected with the rabbles of calcining-furnaces.

*Claims.*—(1.) In rabbles comprising a vertical shaft with means for rotating same and carrying a rabble-arm, said shaft and arm being provided with a passage connected with an air-supply and with passages therefrom to the outside of said arm, and a second passage in said shaft and arm being connected with a water-supply and with an outlet, the connection of the air-passage in the rabble-shaft with an air-supply pipe inserted in the axis of said shaft, substantially as specified.

(Specification, 7s. 6d.)

[NOTE.—Here follow five other claims.]

No. 29796.—24th June, 1911.—COULLS, COLLING, AND COMPANY, LIMITED, a company incorporated in New Zealand, and having its registered office at Dunedin, New Zealand (assignees of Charles Bristow, of Christchurch, New Zealand, Engineer). Improvements in envelopes.

*Extract from Specification.*—According to this invention, an envelope is provided having its joining-seam (1) made in the middle of the rear face (2) of the envelope so as to provide a strong hold for an eyelet (3) fixed through the double thickness of the seam and surrounding and protecting a hole made therein. The upper end (4) of the rear face of the envelope has an inwardly folded under-lip (5) to prevent the contents, such as seed, from escaping. A staple (6) is provided attached to the flap (7) of the envelope. In the form shown in Figs. 1 to 4 inclusive this staple consists of a spring wire folded and twisted at the fold twice round an eyelet (8) in the flap (7), the prongs of the staple terminating in curved outwardly turned hooks (9) (10).

(Specification, 3s.)

[NOTE.—The above extract from the specification is inserted in place of the claims.]

No. 29797.—27th June, 1911.—ALEXANDRE TRIFONOFF, Engineer, and DANIEL GARDNER, Chemist, both of the Technological Institute of St. Petersburg, St. Petersburg, Russia. Process for treating sulphurous antimony or arsenic ores.

*Extract from Specification.*—The novel process resides in the fact that the sulphurous ore is melted preferably with sodium-sulphate, sulphide of iron (for example, pyrites or other iron-ore), and carbon, eventually with the addition of some soda, but this melting is not carried as far as the formation of the pure sulpho-salt (as suggested, for example, by MacArthur in employing sulphate and carbon in the melting-process), but in such conditions that besides the sulpho-salt ( $\text{Na}_2\text{SbS}_4$  for example) oxide ( $\text{Sb}_2\text{O}_3$ , for example) is obtained. The rest of the mineral passes into the slag, in which the iron is contained in the form of the silicate ( $2\text{FeO SiO}_2$ ).

(Specification, 8s. 3d.)

[NOTE.—The above extract from the specification is inserted in place of the claims.]

No. 29798.—27th June, 1911.—GRIFFIN S. ACKLEY, residing in the City of Buffalo, New York, United States of America, Manufacturer. Improvements in winding-mechanism for brake-chains.

*Claims.*—(1.) A winding-mechanism for the brake-chains of cars in which the operating-shaft and the chain-winding drum (which is geared to the operating-shaft) are arranged to extend horizontally adjacent to each other above the floor of the car, and the brake-chain extends downwardly from the winding-drum through the floor of the car for connection with the brakes.

(Specification, 12s. 6d.)

[NOTE.—Here follow seven other claims.]

No. 29810.—1st November, 1910.—ROBERT MAXIMILIAN HAHN, of 134 London Wall, London, England, Merchant. Improvements in and relating to fastening-devices for corsets and other like garments.

*Claims.*—(1.) A fastening-device for corsets and other like garments of the type described, characterized by one of the said busks having one or more sockets at or near its extremities in combination with a hinged latch at or near the centre of the said busk, the said sockets being adapted to receive tongues carried by the other busk, which is provided with a stud or pin at or near its centre and attached to the other edge of the garment, said stud or pin being adapted to enter a hole in the aforesaid latch which is retained in engagement therewith by a notch with which said pin is provided, substantially as set forth in the specification.

(Specification, 6s.)

[NOTE.—Here follow two other claims.]

No. 29824.—4th July, 1911.—THE TECHNO CHEMICAL LABORATORIES, LIMITED, of Broad Street House, New Broad Street, London E.C., England (assignees of Nils Testrup, of 6 Broad Street Place, London E.C. aforesaid, Gentleman). Improvements in and relating to the treatment of oils, fats, and the like.

*Extract from Specification.*—This invention consists in exposing the substance to be treated while mixed with the finely divided catalyst as a spray or in a similar condition of minute subdivision in an atmosphere of hydrogen or of a hydrogen containing gas, thus obtaining such an intimacy of contact of the reacting substances that the speed of the reaction and its completeness are very materially increased. This invention also consists in a process for hardening of oils, fats, or the like, consisting in spraying the body (previously melted, if necessary, in a suitable vessel, such as a jacketed vessel, provided with stirring-means), together with the catalyst, into a chamber into which hydrogen is passed, the treated material from the spray falling in the chamber, and being withdrawn therefrom either to be returned to the spraying-device, or passed to other chambers for further treatment, or being separated from the contact-body with which it is mixed.

(Specification, 6s.)

[NOTE.—The above extract from the specification is inserted in place of the claims.]

No. 29834.—7th July, 1911.—KAREN LOIS BROMWICH, of Paeroa, Auckland, New Zealand. Improved teapot.

*Extract from Specification.*—The pot or utensil is constructed with an internally sloping partition extending right across and nearly to the top, and at such an angle to the bottom to allow hot water to flow into the tea-compartment, on the tipping of the pot one way, and which will also prevent tea from flowing into the hot-water compartment when the pot is tipped the reverse way.

(Specification, 2s.)

[NOTE.—The above extract from the specification is inserted in place of the claims.]

#### Erratum.

In the last issue of the *Gazette* the cost of copying specification No. 29482 was given as 4s. 6d. This should read "7s. 6d."

Copies of drawings may be obtained at the uniform price of 1s. each. In exceptional cases this price may be increased at the discretion of the Office.

An asterisk (\*) denotes the complete specification of an invention for which a provisional specification has been already lodged. A dagger (†) denotes a prior date under the International and Intercolonial Arrangements.

NOTE.—The cost of copying the specification has been inserted after the notice of each application. An order for a copy or copies should be accompanied by a post-office order or postal note for the cost of copying.

The date of acceptance of each application is given after the number.

Extracts from the drawings accompanying the foregoing complete specifications appear at the end of this *Gazette*.

J. C. LEWIS,  
Registrar.

#### Provisional Specifications accepted.

Patent Office,  
Wellington, 4th August, 1911.

APPLICATIONS for Letters Patent, with provisional specifications, have been accepted as under:—

- No. 28366.—W. McRae, plough.  
No. 29631.—Eureka Milking Machine Company, Limited, milking-machine. (H. Droutledge.)  
No. 29666.—V. Sorenson, circular saws.

No. 29735.—C. G. Whitaker and M. A. McKenzie, milking-machine releaser.

- No. 29757.—E. J. French, clothes-cleaner.  
No. 29762.—J. D. Smith, scaffold-hanger.  
No. 29800.—R. T. Grooby, machinery-beltting.  
No. 29814.—A. H. Wright, advertising-medium, &c.  
No. 29820.—A. S. Reid, teat-cup.  
No. 29821.—A. S. Reid, air and vacuum pulsator.  
No. 29822.—J. J. Raynes, cream-separator driving-apparatus.  
No. 29823.—J. J. Raynes, internal-combustion engine driving-equalizer.  
No. 29825.—H. Harrison, cooking-range.  
No. 29837.—A. L. J. Tait, pot-lid.  
No. 29839.—J. Macalister, tip-wagon.  
No. 29858.—E. A. G. Hamlin, danger-signal conducting-fence.  
No. 29870.—Ridd Milking Machine Company, Limited, milking-machine. (S. J. Sutton.)  
No. 29886.—W. J. Teese, milking-machine pulsator.  
No. 29896.—J. Shuker, seed-thresher.  
No. 29903.—A. C. Pocock, milking-machine.  
No. 29905.—S. R. Trevor, rubber-devulcanizing.  
No. 29907.—A. E. Green, trouser-stretcher.  
No. 29919.—A. D. Clemett and W. Broadbent, collapsible box, &c.  
No. 29926.—W. T. Sadd, tow-treating machine.  
No. 29927.—F. Matthews, cow-bail fastener.  
No. 29937.—J. Brockbank, air-ship.  
No. 29983.—United Shoe Machinery Company, inseam-sewing machine. (W. C. Meyer.)  
No. 29984.—United Shoe Machinery Company, sole-sewing machine. (A. Bates.)  
No. 29993.—E. Moss, fire-alarm setting.  
No. 29999.—A. T. W. Allan, concentrating-table.  
No. 30005.—F. J. Northcott, milk-receiving means.  
No. 30006.—A. H. Wright, advertising-display sheet, &c.

#### Letters Patent sealed.

- LIST of Letters Patent sealed from the 5th to the 16th August, 1911, inclusive:—  
No. 27499.—A. R. Christian and E. A. Reynolds, trolley-pole lowering.  
No. 27531.—L. Banks and J. A. Warnock, collapsible box.  
No. 27614.—C. Hogan, spark-arrester.  
No. 27629.—T. Mence, child-holder.  
No. 27652.—W. Morton, franking-machine.  
No. 27655.—G. Honeywood, mixing-machine.  
No. 27675.—W. J. Nuttall, window-sash counterbalancing.  
No. 27661.—E. Price, wire-tightener pawl.  
No. 27666.—M. Woods, G. W. Gilbert, and J. Little, stone-dressing.  
No. 27682.—H. B. Skertchly, trousers stretcher.  
No. 27686.—F. W. Payne, mounting current-wheels.  
No. 27702.—G. Walker and C. R. Bell, alcohol from flax gum.  
No. 27713.—F. Castle, E. J. Riddiford, W. E. Bidwill, and L. L. McDermott, electric-alarm system.  
No. 27719.—J. H. Burn, post-marking machine.  
No. 27752.—O. H. Stapelfeldt, incandescent gas lamp. (J. Hirschhorn—D. B. Houghton.)  
No. 27753.—O. H. Stapelfeldt, incandescent gas-lamp. (J. Hirschhorn—D. B. Houghton.)  
No. 27762.—G. E. Cluett, fencing-dropper.  
No. 27877.—C. B. Smith, counter-sales check-book.  
No. 27890.—J. H. Burn, facing-up table for stamp-marking.  
No. 27948.—H. J. McBeth and T. M. Taylor, stirrup-leather release.  
No. 28047.—B. F. Cranwell, fruit-tree sprayer.  
No. 28109.—United Shoe Machinery Company, shoe-sewing machine. (A. Eppler.)  
No. 28111.—United Shoe Machinery Company, sewing-machine tension device. (W. C. Meyer and C. P. Holmes.)  
No. 28112.—United Shoe Machinery Company, leather-cutter. (J. B. Hadaway.)  
No. 28549.—Captain Motor Wheel Company, Limited, detachable wheel-rim. (A. F. Gunstone.)  
No. 28663.—W. M. Mackintosh and T. Walton, tool.  
No. 28806.—A. Gillies, teat-cup.  
No. 28943.—A. N. Whitney, rifle range.  
No. 28947.—United Shoe Machinery Company, heeling-machine. (B. F. Mayo.)  
No. 28998.—W. T. Carling, open store, &c.  
No. 29001.—W. Lewis, footwear-warming, &c.  
No. 29026.—J. I. Rodway and J. Esson, tire-inflating.  
No. 29079.—Petaluma Incubator Company, incubator. (L. C. Byce.)  
No. 29162.—A. E. Tilburn, boot-polishing pad.  
No. 29183.—W. H. B. Bishop and E. J. M. Miller, acetylene-generator.  
No. 29232.—P. and T. McDermott, plough share and point.  
No. 29289.—A. Werner, sheave-elevator.



- No. 29316.—C. E. Thompson, jun., and G. Harley, case and filler.  
 No. 29363.—J. A. Hill, ordnance. (H. Stanbridge.)  
 No. 29374.—J. D. Yeates, picker's and packer's bag.  
 No. 29379.—M. Goshler, concrete-block building.  
 No. 29393.—C. F. Jeanneret, concrete-wall construction.  
 No. 29394.—S. Lever, shirt-neck band.  
 No. 29409.—W. A. Fraser, animal-rug securing. (A. Beenie.)  
 No. 29410.—W. F. K. Stock, fertilizer, &c.  
 No. 29411.—I. R. Van Wart, cattle-brand.  
 No. 29412.—P. Marino, electric-battery separator.  
 No. 29414.—E. S. Donisthorpe, synchronizing working of machinery.  
 No. 29416.—R. E. Shepperson, teat-cup.  
 No. 29419.—C. Graaff, fire-extinguisher.  
 No. 29437.—W. R. Sykes, Interlocking Signal Company, Limited, W. R. Sykes, R. W. Tarrant, and McKenzie and Holland, Limited, railway signalling.  
 No. 29439.—I. Shone, sewerage system.  
 No. 29440.—W. H. Cheyne and G. R. Mewburn, steam-hammer.  
 No. 29451.—Auto Road Chart, Limited, vehicle route-chart. (H. J. C. Taylor.)  
 No. 29457.—J. T. Whitome, road-sweeper.  
 No. 29470.—F. J. Northcott, milk-receiving can.  
 No. 29517.—G. C. Goodhart, internal-combustion engine.

- No. 27607.—Memorandum of agreement entered on the Register whereby it is, *inter alia*, agreed that the patentees will assign the invention to His Majesty the King. Preparation of ketones. (T. H. Easterfield and C. M. Taylor.) 8th August, 1911.  
 Nos. 28650 and 28876.—Joseph Hopkirk, of Hawera, Taranaki, New Zealand, Engineer, registered as proprietor of two-thirds interest. Pasteurizer. (A. H. Hansen.) 8th August, 1911.

**Request for Correction of Clerical Error in Application for Letters Patent.**

**N**O. 29595.—E. S. Baldwin and H. H. Rayward, dress-form (Kearu's Manufacturing Company—J. Rea). (Advertised in Supplement to *New Zealand Gazette*, No. 53, of the 29th June, 1911.) To alter the surname of the inventor from "Rea" to "Rae."

**Applications for Letters Patent abandoned.**

**L**IST of applications, with which provisional specifications only have been filed, abandoned (*i.e.*, complete specifications not lodged) from the 4th August to the 17th August, 1911, inclusive:—

- No. 28553.—L. W. Alexander and J. W. Hall, non-refillable bottle.  
 No. 28558.—H. Priestley, electric-lamp adapter.  
 No. 28559.—A. Lyell, non-refillable bottle.  
 No. 28560.—E. Shadgett, poultry foster-mother.  
 No. 28562.—F. S. Karles, milk-can.  
 No. 28567.—A. McLeod, lamp.  
 No. 28568.—J. G. Macfarlane, ferro-concrete structure.  
 No. 28570.—A. T. H. Thorne, stereoscopic apparatus.  
 No. 28571.—F. Andrews, curtain-rod.  
 No. 28573.—E. R. Barlow, windmill.  
 No. 28579.—S. R. Trevor, rubber-production.  
 No. 28580.—E. F. Ridder, brake-shoe fastening.  
 No. 28582.—A. Byford, wire-netting fence.  
 No. 28583.—F. M. Norris, reinforcing-concrete.  
 No. 28584.—J. Thomson, candlestick.  
 No. 28585.—R. McGaffin, flax machine.  
 No. 28587.—T. Robson, boot and shoe fastening.  
 No. 28588.—A. Cameron and J. Fletcher, casement-fitting.  
 No. 28589.—G. Nicoll, can-lid strainer.  
 No. 28590.—E. J. Chiton, closet-flush.  
 No. 28593.—W. Henning, motor.

**Letters Patent on which Fees have been paid.**

[NOTE.—The dates are those of the payments.]

**SECOND-TERM FEES.**

- N**O. 23264.—T. B. Murray, scaffold-fastener. 5th August.  
 No. 23300.—F. A. Newman, shooting-gallery. (I. Sutherland.) 9th August.  
 No. 23303.—New Zealand Steel Fencing Company, fence-dropper. (H. C. L. Rolfe.) 10th August.  
 No. 23308.—L. J. Ambury, cow-cover. 12th August.  
 No. 23338.—The New Zealand Leatherrubber Company, Limited, scrap-leather treatment. (H. Lewis.) 5th August.  
 No. 23361.—J. Little, air, &c., cooling-apparatus. 9th August.  
 No. 23424.—Manufactures Machine Company, pad-cover. (G. F. Stewart.) 9th August.  
 No. 23597.—United Shoe Machinery Company, shoe-making. (A. Bates.) 9th August.  
 No. 23598.—Nichols-Field Shoe Machinery Company, inseam-trimming machine. (H. Lyon.) 9th August.

**THIRD-TERM FEES.**

- No. 18303.—J. Hartnett and D. M. Robison, cow-milker. 9th August.  
 No. 18392.—United Shoe Machinery Company, thread holder and cutter. (F. A. Kern.) 9th August.  
 No. 18625.—United Shoe Machinery Company, nailing-machine. (J. H. Brown.) 9th August.  
 No. 18626.—United Shoe Machinery Company, pounding-up machine. (R. F. McFeely.) 9th August.  
 No. 19864.—Ore Concentration Company (1905), Limited, separating fine material. (F. E. Elmore.) 16th August.

**Subsequent Proprietors of Letters Patent registered.**

[NOTE.—The name of the former proprietor is given in brackets; the date is that of registration.]

- N**O. 14707.—William John Morton Hopkins, of Christchurch, New Zealand, Land Agent, trading as W. J. Hopkins and Co., Land Agents, registered as proprietor, subject to the rights of Henry John Cleal, of Auckland, New Zealand, Hairdresser, and other parties mentioned in the deed of assignment. Liquid-sprayer. (F. and T. Mercer.) 14th August, 1911.  
 No. 23300.—Francis Alexander Newman, of 83 Collins Street, Melbourne, Victoria, Medical Practitioner. Shooting-gallery apparatus. (J. Sutherland.) 14th August, 1911.  
 No. 26910.—Coulls, Culling, and Company, Limited, a company incorporated in the Dominion of New Zealand, and having its registered office in Dunedin, New Zealand. Envelope. (S. Bartlett.) 8th August, 1911.  
 No. 27167.—Richard Hadfield, of Christchurch, New Zealand, Hotelkeeper. Acetylene-generator. (G. L. Burton.) 8th August, 1911.  
 No. 27273.—Percy Moore Wood, of Ashfield, New South Wales, Australia, Medical Practitioner. Folding wardrobe. (R. and F. E. May.) 16th August, 1911.

**Applications for Letters Patent void.**

**A**PPPLICATIONS for Letters Patent, with which complete specifications have been lodged, void owing to non-acceptance of such complete specifications, from the 4th to the 17th August, 1911, inclusive:—

- No. 27720.—L. Bansart, coke-furnace.  
 No. 27731.—E. M. W. Leathart, rat-trap.

**Designs expired.**

**T**HE copyright in the following designs has expired:—

- No. 292.—Dackworth, Turner, and Co., Limited. Class 10.  
 No. 293.—A. Crichton and W. Williams. Class 1.  
 Nos. 294 and 295.—S. Smith and Sons. Class 10.  
 No. 296.—J. Fitzgerald. Class 3.

**Applications for Letters Patent lapsed.**

**A**PPPLICATIONS for Letters Patent lapsed, owing to Letters Patent not being sealed, from the 4th to the 17th August, 1911, inclusive:—

- No. 27278.—A. L. Smith, carton.  
 No. 27286.—A. Simonson and G. King, keroasene-filler.  
 No. 27267.—A. Simonson and G. King, music-holder.  
 No. 27291.—J. S. Kruskopf, window-ventilator.  
 No. 27293.—T. Kidd, milking apparatus.  
 No. 27294.—A. Gardiner and E. Stephens, milk-cooler.

**Letters Patent void.**

**L**IST of Letters Patent void through non-payment of renewal fees, and through expiry of term of fourteen years, from the 4th to the 17th August, 1911, inclusive:—

- No. 22380.—A. H. Rogers, beer-cooler.  
 No. 22772.—T. Sutton, cheese-crate.  
 No. 22777.—W. B. Miller, steam-turbine.  
 No. 22781.—A. Manvers and H. Phillips, creating and maintaining a vacuum.  
 No. 22786.—W. H. Mounsey, matrix-cleaner.  
 No. 22787.—W. H. Mounsey, knife-block and knife.  
 No. 22791.—E. L. Short and A. Pickford, closet-filter.  
 No. 22794.—D. McKenzie, flax-stripper.  
 No. 22798.—W. J. Parker, corset-attachment.  
 No. 22802.—J. E. Tatham and A. Smith, gaslight burner.  
 No. 22803.—N. W. Frogley, window-sash, &c.  
 No. 22809.—Chipman Limited, vehicle. (C. Wesp.)  
 No. 22814.—F. C. Thompson, W. Finlay, and G. B. Ritchie, venetian-blind mechanism. (F. C. Thompson.)  
 No. 22822.—G. Wade and E. C. White, brick-manufacture.  
 No. 22824.—E. N. Waters, wireless transmission of sonorous vibrations. (McCarty Wireless Telephone Company—F. J. McCarty.)  
 No. 22828.—D. McKenzie, ottoman-bed and couch.  
 No. 22833.—G. Hutchinson, pneumatic-valve cap-holder.  
 No. 22834.—T. R. Hogg, potato-plough.  
 No. 22840.—G. S. Williden, concrete block.  
 No. 22842.—P. Rabbidge, electrolyte.  
 No. 22850.—W. Brighton, engine-reversing gear.  
 No. 22824.—J. Baker and Sons, Limited, dough, &c., mixer. (J. Burns.)

**THROUGH NON-PAYMENT OF THIRD-TERM FEES.**

- No. 17875.—British Westinghouse Electric and Manufacturing Company, Limited, electrical measuring instrument. (J. P. Campbell—F. Conrad.)  
 No. 17895.—M. F. Albert, massage apparatus. (J. H. King—J. C. Oakman—L. Synder.)  
 No. 17897.—N. Guthridge, Limited, ore-shaking table. (W. L. and F. S. Card.)  
 No. 17900.—B. F. Dunn, river-scouring.  
 No. 17928.—The Lamp Manufacturing Company, Limited, lamp. (W. H. J. Welch.)  
 No. 19303.—A. Glas, milk-powder manufacture.

**THROUGH EXPIRY OF TERM.**

- No. 9770.—T. J. Heskett, steel-manufacture. (T. J. Heskett and H. Jones.)  
 No. 9777.—T. Edwards, ore-furnace.  
 No. 9799.—Acetylene Gas Company of Australasia, Limited, acetylene-generator. (W. Tyree.)

**Applications for Trade Marks filed.**

**L**IST of applications for registration of Trade Marks filed from the 4th to the 17th August, 1911, inclusive:—

- No. 9808.—4th August.—Australian Manufacturing and Importing Company, Limited, Sydney, N.S.W. Class 50.  
 No. 9809.—8th August.—A. J. Parker, Auckland, N.Z. Class 48.  
 No. 9810.—8th August.—O. S. H. Wall Indianola Proprietary Company, Gisborne, N.Z. Class 3.  
 Nos. 9811 and 9812.—8th August.—H. J. Heinz Company, Pittsburg, U.S.A. Class 42.  
 No. 9813.—8th August.—H. T. Gould, Seatoun, N.Z. Class 3.  
 No. 9814.—8th August.—Lever Bros., Limited, Balmain, N.S.W. Class 47.  
 No. 9815.—8th August.—F. Castle, Wellington, N.Z. Class 48.  
 No. 9816.—9th August.—Columbia Phonograph Company, General, New York, U.S.A., and London, Eng. Class 8.  
 No. 9817.—9th August.—Pacific Mills, Boston, U.S.A. Class 24.  
 No. 9818.—9th August.—Heer and Co., Thalwil, Switz. Class 31.  
 No. 9819.—9th August.—J. Spicer and Sons, Limited, London, Eng. Class 39.

No. 9820.—10th August.—Alder and MacKay, Edinburgh, Scot., and Wellington, N.Z. Class 8.

Nos. 9821 and 9822.—11th August.—Neal Close, Limited, Napier, N.Z. Class 42.

No. 9823.—14th August.—Murrays Limited, Invercargill, N.Z. Class 42.

No. 9824.—14th August.—Elgin National Watch Company, Elgin, U.S.A. Class 10.

Nos. 9825, 9826, 9827, 9828, and 9829.—14th August.—Key-stone Watch-case Company, Philadelphia, U.S.A. Class 10.

No. 9830.—14th August.—J. B. Gilbert and Sons, Limited, Wanganui, N.Z. Class 47.

No. 9831.—15th August.—Imperial Export Company, Limited, Toronto, Canada, and Auckland, N.Z. Class 4.

No. 9832.—15th August.—Kura-Kut Manufacturing Company, Auckland, N.Z. Class 50.

No. 9833.—15th August.—L. E. Waterman Company, New York, U.S.A. Class 39.

Nos. 9834, 9835, and 9836.—15th August.—Homocea Limited, London, Eng. Classes 3, 2, and 5.

No. 9837.—15th August.—Printing Machinery Company, Limited, London, Eng. Class 6.

No. 9838.—16th August.—British Drug Houses, Limited, London, Eng. Class 3.

Nos. 9839 and 9840.—16th August.—Dr. Theinhardt's Nahrungsmittel-Gesellschaft m.b.H., Stuttgart-Cannstatt, Ger. Class 42.

No. 9841.—17th August.—E. S. Pegler, "Auckland Camera Company," Auckland, N.Z. Class 1.

No. 9842.—17th August.—M. Hyam, Wholesale Clothing Company, Limited, London, Eng. Class 38.

Nos. 9843 and 9844.—17th August.—Meredith Bros. Company, Aratapu, N.Z. Class 42.

No. 9845.—17th August.—W. G. Dudfield, Melbourne, Vic. Class 35.

**Applications for Registration of Trade Marks.**

Patent Office,  
Wellington, 18th August, 1911.

**A**PPPLICATIONS for registration of the following Trade Marks have been received. Notice of opposition to the registration of any of these applications may be lodged at this office within two months of the date of this *Gazette*. Such notice must be in duplicate, and accompanied by a fee of £1.

No. of application: 9427.

Date: 2nd March, 1911.

**TRADE MARK.**

The essential particular of this trade mark is the device; and any right to the exclusive use of the added matter is disclaimed.

**NAME.**

CHURCH AND Co., of Duke Street, Northampton, England, Boot and Shoe Manufacturers.

No. of class: 38.

Description of goods: Boots, shoes, slippers, and leggings.



No. of application : 9494.  
Date : 22nd March, 1911.

TRADE MARK.

**SULPHUR BITTERS**

IS RECOMMENDED FOR

- Loss of Appetite,
- All Gone and Tired Feeling,
- Dyspepsia,
- Habitual Constiveness,
- Jaundice, Nausea,
- Faintness of the Stomach,
- Biliousness, Boils,
- Piles, Dysentery,
- Headache,
- Taps, Pin and Other Worms,
- Dizziness,
- Gout and Fits,
- Nervousness,
- Languor,
- Female Weakness.



**SULPHUR BITTERS**

IS RECOMMENDED FOR

- Scrofula and Scrofulous Humors
- Catarrh,
- Salt Rheum,
- Rheumatism,
- Neuralgia,
- Ulcers, Humors,
- Fever and Ague,
- Pimples on the Face and Body,
- Canker,
- Liver Complaint,
- Sore Eyes,
- Skin Diseases,
- Pains in the Side,
- Back, Shoulders,
- General Debility.

**SULPHUR BITTERS**

CONTAINS 22.5% ALCOHOL.

NOTE.

Whittome Stevenson & Co., Limited, of Newmarket, New Zealand, are the sole agents for the Dominion of New Zealand for the sale of the above-named Sulphur Bitters. The name of the product is prominent on the label, and is blown in the glass of the bottle. The name of the product is prominent on the label, and is blown in the glass of the bottle.

ORIGINAL FORMULA OF OLD DR. KAUFMANN.

Whittome Stevenson & Co., Limited, of Newmarket, New Zealand, are the sole agents for the Dominion of New Zealand for the sale of the above-named Sulphur Bitters. The name of the product is prominent on the label, and is blown in the glass of the bottle.

This well-known remedy was not made in an hour or a year, but was the result of the life study of Dr. Kaufmann, who after many years of patient research and costly experiments, utilizing the aids of science and chemistry, at last succeeded in combining the medicinal virtues and purifying properties of Flowers of Sulphur with other ingredients. The greatest doctors and eminent chemists had tried in vain to combine sulphur with liquids but without success. Dr. Kaufmann spent years in vain to do this until he produced Sulphur Bitters, a combination of Flowers of Sulphur and rich juices of the best known roots, herbs and berries. Sulphur Bitters has been the crowning success of Dr. Kaufmann's life. This medicine will be found to help the greatest benefit in aiding nature to expel from the system the causes of such diseases that arise from impurities of the blood. It does not deplete the stomach or bowels, but on the contrary improves the digestion and invigorates the stomach. As a purifier, Sulphur Bitters is far superior to the numerous compounds put forward by others. The effect of Sulphur Bitters is to act directly on the liver and blood, thereby relieving the system of the seeds of disease. No one taking Sulphur Bitters can long remain without feeling its beneficial effects. Sulphur Bitters aids in removing aggravated and long-standing skin diseases.

Sulphur Bitters is composed of the choicest roots, herbs and berries in the vegetable kingdom and is of aid in relieving diseases of the blood and stomach. Sulphur Bitters acts on disease in any climate and at any time of the year.

PRICE, ONE DOLLAR.

PREPARED BY  
**A. P. ORDWAY & CO., MFG. Chemists,**  
NEW YORK, N. Y., U. S. A.

The applicants claim that the said trade mark has been used by them and their predecessors in business in respect of the article mentioned for eleven years before the 2nd day of September, 1889.

NAME.

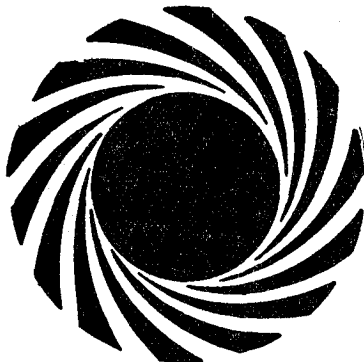
**A. P. ORDWAY AND CO.,** of 343 West 37th Streets, New York City, New York, United States of America, Chemists.

No. of class : 3.

Description of goods : A medicinal preparation.

No. of application : 9659.  
Date : 25th May, 1911.

TRADE MARK.



NAME.

**PACIFIC MILLS,** a corporation organized under the laws of the State of Massachusetts, of 70 Kilby Street, Boston, Massachusetts, United States of America.

No. of class : 34.

Description of goods : Woollen piece-goods.

No. of application : 9767.  
Date : 12th July, 1911.

TRADE MARK.

The word

**CROWN.**

No claim is made to the use of a representation of the Royal Crown.

The essential particular of this trade mark is the word "Crown."

NAME.

**E. SHEP. DIXON,** of Fitzherbert Street, Palmerston North, in the Dominion of New Zealand.

No. of class : 16.

Description of goods : Earthenware jars and bottles.

B

No. of application : 9777.  
Date : 17th July, 1911.

TRADE MARK.



The essential particular of this trade mark is the word "Lin-shine"; and any right to the exclusive use of any added matter is disclaimed.

NAME.

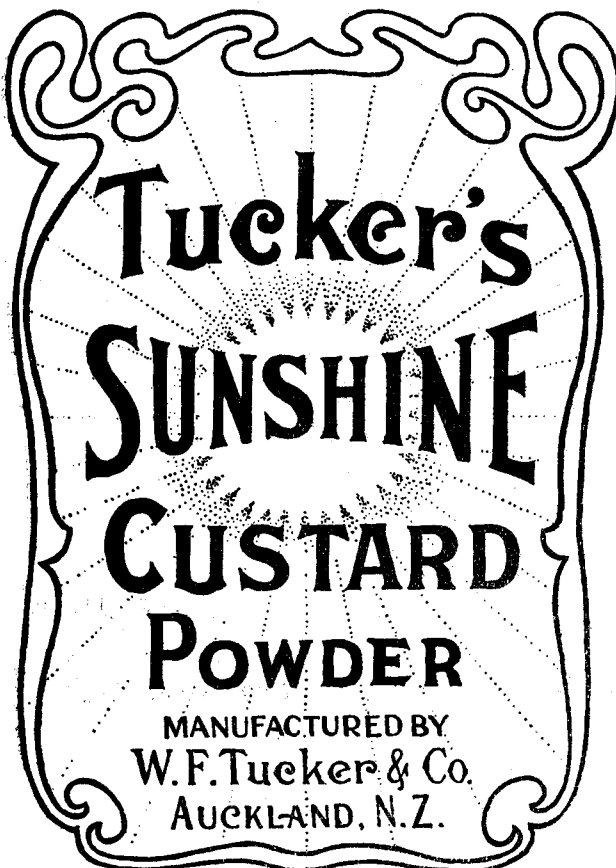
**WHITTOME, STEVENSON, AND CO., LIMITED,** of Newmarket near the City of Auckland, in the Dominion of New Zealand, Manufacturers.

No. of class : 50.

Description of goods : Linoleum and oilcloth polish, furniture-polish, tan-boot polish, leather-polish.

No. of application: 9800.  
Date: 29th July, 1911.

TRADE MARK.



The essential particulars of this trade mark are the word "Sunshine" and the device; and any right to the exclusive use of the added matter is disclaimed.

NAME.

W. F. TUCKER AND Co., of Severn Street, Khyber Pass, Auckland, in the Dominion of New Zealand, Manufacturers.

No. of class: 43.  
Description of goods: Custard-powders.

No. of application: 9802.  
Date: 29th July, 1911.

TRADE MARK.

The word

VIKING.

The essential particular of this trade mark is the word "Viking."

NAME.

GOLLIN AND Co. PROPRIETARY, LIMITED, of 78 Jervois Quay, Wellington, in the Dominion of New Zealand.

No. of class: 1.  
Description of goods: Carbide of calcium.

No. of application: 9803.  
Date: 29th July, 1911.

TRADE MARK.

The words

PARIHIHA APIARY.

The essential particular of this trade mark is the word "Parihiha"; and any right to the exclusive use of the word "Apiary" is disclaimed.

NAME.

C. F. RAINIE, of Parihiha, Inaha, in the Dominion of New Zealand, Farmer.

No. of class: 42.  
Description of goods: Honey, beeswax, and honey-vinegar.

No. of application: 9804.  
Date: 1st August, 1911.

TRADE MARK.

The word

ABREDO.

NAME.

WALTER WILLIAM BROWN, of Stamford Factory, Stamford Street, Fratton, Portsmouth, England, Corset-manufacturer.

No. of class: 38.  
Description of goods: Articles of clothing.

No. of application: 9806.  
Date: 1st August, 1911.

TRADE MARK.

The word

IVANHOE.

The essential particular of this trade mark is the word "Ivanhoe."

NAME.

BRADBURY, GREATORREX, AND Co., LIMITED, whose registered address is at 6 Aldermanbury, in the City of London, England, Warehousemen.

No. of class: 38.  
Description of goods: Articles of clothing.

No. of application: 9809.  
Date: 8th August, 1911.

TRADE MARK.

The word

YAMA.

NAME.

ALFRED JAMES PARKER, of 1 Bulwer Street, Herne Bay, Auckland, in the Dominion of New Zealand, Manufacturing Chemist.

No. of class: 48.  
Description of goods: All goods in that class.  
[NOTE.—Class 48 is for "Perfumery (including toilet articles, preparations for the teeth and hair, and perfumed soap)."]

No. of application: 9813.  
Date: 8th August, 1911.

TRADE MARK.

The word

ZOUTH.

NAME.

HENRY THOMAS GOULD, of "The Chalet," Seatoun, Wellington, in the Dominion of New Zealand, Patent-medicine Vendor.

No. of class: 3.  
Description of goods: Medicines.

No. of application: 9815.  
Date: 8th August, 1911.

TRADE MARK.

The word

VELZONE.

NAME.

FREDERICK CASTLE, of 70 Cuba Street, Wellington, in the Dominion of New Zealand, Chemist.

No. of class: 48.  
Description of goods: All goods in this class.  
[NOTE.—Class 48 is for "Perfumery (including toilet articles, preparations for the teeth and hair, and perfumed soap)."]

No. of application: 9818.  
Date: 9th August, 1911.

TRADE MARK.

The word

HERCA.

The essential particular of this trade mark is the word "Herca."

NAME.

HEER AND Co., of Thalwil, Switzerland, Manufacturers.

No. of class: 31.  
Description of goods: Silk piece-goods.

No. of application: 9830.  
Date: 14th August, 1911.

TRADE MARK.

The word

**GOLDFINDER.**

The essential particular of this trade mark is the word "Goldfinder."

NAME.

J. B. GILBERD AND SONS, LIMITED, of Wanganui, in the Dominion of New Zealand, Soap-manufacturers.

No. of class: 47.  
Description of goods: Common soaps.

No. of application: 9832.  
Date: 15th August, 1911.

TRADE MARK.

The word

**BURMUNDSY.**

The essential particular of this trade mark is the word "Burmundsy."

NAME.

KURA-KUT MANUFACTURING COMPANY, of Mount Wellington, Panmure, near the City of Auckland, in the Dominion of New Zealand, Manufacturers.

No. of class: 50.  
Description of goods: A preparation for preserving and making all leather goods waterproof.

No. of application: 9835.  
Date: 15th August, 1911.

TRADE MARK.

**HIPPAGEA**

NAME.

HOMOCEA LIMITED, of 4 and 5 Scrubb's Lane, Willesden Junction, London, England, Proprietary Article Manufacturers.

No. of class: 2.  
Description of goods: Chemical substances used for agricultural, horticultural, veterinary, and sanitary purposes.

No. of application: 9838.  
Date: 16th August, 1911.

TRADE MARK.

The word

**SEMPULE.**

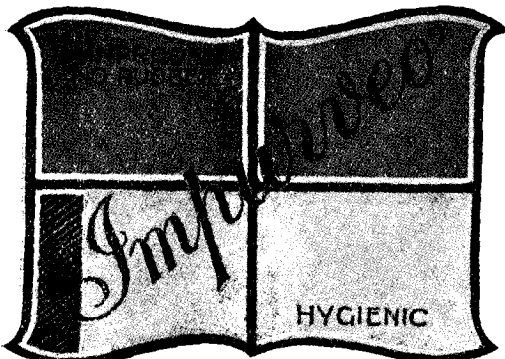
NAME.

THE BRITISH DRUG HOUSES, LIMITED, of 22 to 30 Graham Street, City Road, London, England.

No. of class: 3.  
Description of goods: Medicated suppositories for human use.

No. of application: 9842.  
Date: 17th August, 1911.

TRADE MARK.



The essential particulars of this trade mark are the word "Impureo" and the device of a shield; and any right to the exclusive use of any added matter is disclaimed.

NAME.

THE M. HYAM WHOLESALE CLOTHING COMPANY, LIMITED, of London, England.

No. of class: 38.

Description of goods: Articles of clothing, such as hats of all kinds, caps and bonnets, hosiery, gloves, boots and shoes, overcoats, and other ready-made clothing.

No. of application: 9846.

Date: 17th August, 1911.

TRADE MARK.

**W.J.M.  
HUANGARUA.**

The applicant claims that the said trade mark has been used by him in respect of the article mentioned for twenty-five years.

NAME.

WILLIAM JAMES MARTIN, of Martinborough, in the Dominion of New Zealand. Sheep-farmer.

No. of class: 4.

Description of goods: Wool.

J. C. LEWIS,  
Registrar.

Trade Marks registered.

LIST of Trade Marks registered from the 4th to the 17th August, 1911, inclusive:—

No. 7613/9517.—Barnett, Samuel, and Sons, Limited. Class 9. (*Gazette* No. 33, of the 20th April.)

No. 7614/9600.—The Wilson Malt Extract Company. Class 42. (*Gazette* No. 46, of the 1st June.)

No. 7615/9160.—Bryant and Co., Limited. Class 42. (*Gazette* No. 104, of the 1st December, 1910.)

No. 7616/9503.—Trythall and Heath. Class 42. (*Gazette* No. 46, of the 1st June.)

No. 7617/8921.—Liberty Cow Milker Company, Limited. Class 7. (*Gazette* No. 90, of the 6th October 1910.)

No. 7618/8930.—D. A. MacLaurin. Class 42. (*Gazette* No. 80, of the 25th August, 1910.)

Nos. 7619/9580 and 7620/9594.—The Phoenix Knitting Works. Class 38. (*Gazette* No. 42, of the 18th May.)

No. 7621/9303.—J. E. Duffield and Co. Class 50. (*Gazette* No. 33, of the 20th April.)

Nos. 7622/9385 and 7623/9386.—Société Générale des Eaux Minérales de Vittel. Class 44. (*Gazette* No. 18, of the 9th March.)

No. 7624/9540.—Mieble Printing Press and Manufacturing Company, Limited. Class 6. (*Gazette* No. 33, of the 20th April.)

No. 7625/9628.—A. E. Baylis. Class 2. (*Gazette* No. 46, of the 1st June.)

No. 7626/9645.—D. Hutcheon and W. Hay. Class 42. (*Gazette* No. 46, of the 1st June.)

No. 7627/9356 and 7628/9357.—Birmingham Photographic Company, Limited. Classes 15 and 39. (*Gazette* No. 15, of the 23rd February.)

No. 7629/9255.—Hargreaves Bros. and Co., Limited. Class 50. (*Gazette* No. 23, of the 23rd March.)

No. 7630/9432.—Brace, Windle, Blyth, and Co., Limited. Class 34. (*Gazette* No. 23, of the 23rd March.)

No. 7631/9638.—Ellis and Manton. Class 47. (*Gazette* No. 46, of the 1st June.)

No. 7632/8931.—P. Hayman and Co. Class 39. (*Gazette* No. 80, of the 25th August, 1910.)

No. 7633/9407.—B. Lloyd. Class 42. (*Gazette* No. 18, of the 9th March.)

No. 7634/9631.—Waigh and Sons. Class 42. (*Gazette* No. 46, of the 1st June.)

No. 7635/9543.—The Denton Hat Mills, Limited. Class 38. (*Gazette* No. 42, of the 18th May.)

No. 7636/9637.—Sargood, Son, and Ewen, Limited. Class 38. (*Gazette* No. 46, of the 1st June.)

## Trade Mark Renewal Fees paid.

**F**EEES paid for the renewal of the undermentioned Trade Marks for fourteen years from the date first mentioned:—

No. 2090/1678.—17th August, 1911.—Northern Roller Milling Company, Limited, Auckland, N.Z. 16th August, 1911.

Nos. 2203/1746, 2204/1758, 2205/1759, and 2206/1760.—5th November, 1911.—B. Muratti, Sons, and Co., Limited, Manchester, Eng. 7th August, 1911.

Nos. 2216/1772 and 2217/1773.—F. W. Fletcher, London, Eng. 15th August, 1911.

## Trade Marks removed from the Register.

**T**RADe Marks removed from the Register owing to the non-payment of the renewal fee, from the 4th to the 17th August, 1911, inclusive:—

No. 1977/1633.—7th May, 1897.—E. B. Crespin, Wellington, N.Z. Class 42.

No. 1979/1642.—10th May, 1897.—J. Jameson and Son, Limited, Dublin, Ireland. Class 43.

No. 1982/1580.—11th May, 1897.—Phoenix Oil Mill Company, Limited, Liverpool, Eng. Class 4.

Nos. 1983/1588 and 1984/1589.—11th May, 1897.—The Overman Wheel Company, Chicopee Falls, U.S.A. Classes 22 and 49.

No. 1986/1654.—13th May, 1897.—G. Vickers, London, Eng. Class 39.

## Subsequent Proprietors of Trade Marks registered.

[NOTE.—The name of the former proprietor is given in brackets; the date is that of registration.]

**N**O. 2188/1734.—The New England Watch Company, a corporation organized under the laws of the State of Connecticut, having a principal place of business at Waterbury, Connecticut, United States of America. (Waterbury Watch Company.) 14th August, 1911.

No. 5911/4736.—Sadler's Mustard, Limited, of 26, Great Guildford Street, London, England, Mustard-manufacturers. (Sadler, Firth, and Ross, Limited.) 15th August, 1911.

Nos. 7184/5717, 7185/5718, and 7186/5719.—R. Scott and Son, Limited, a corporation duly organized and existing under the laws of the Province of Ontario, and having its principal place of business in the Town of Galt, in the said Province of Ontario, Dominion of Canada. (Imperial Export Company, Limited.) 9th August, 1911.

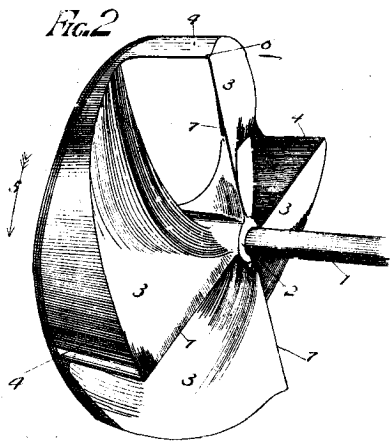
## Application for Trade Mark withdrawn.

**T**HE following application for Trade Mark has been withdrawn:—

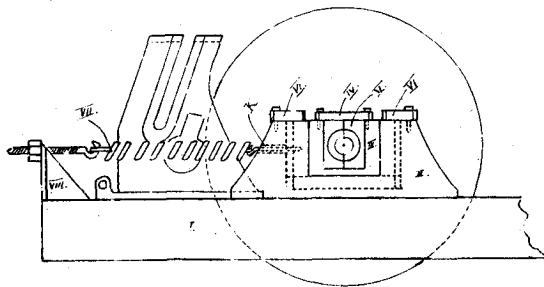
No. 9632.—A. J. S. Blythe (advertised in Supplement to *New Zealand Gazette*, No. 46, of the 1st June, 1911.)

# ILLUSTRATIONS OF INVENTIONS.

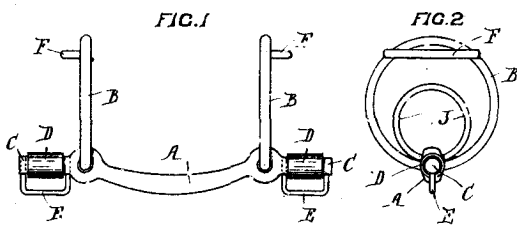
[These illustrations refer to the complete specifications accepted, and advertised in this Gazette.]



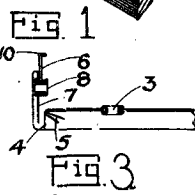
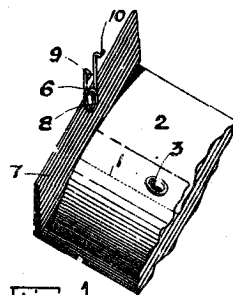
Propeller. Woodward. 27889.



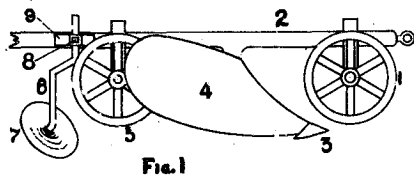
Flax stripper. Crow. 28245



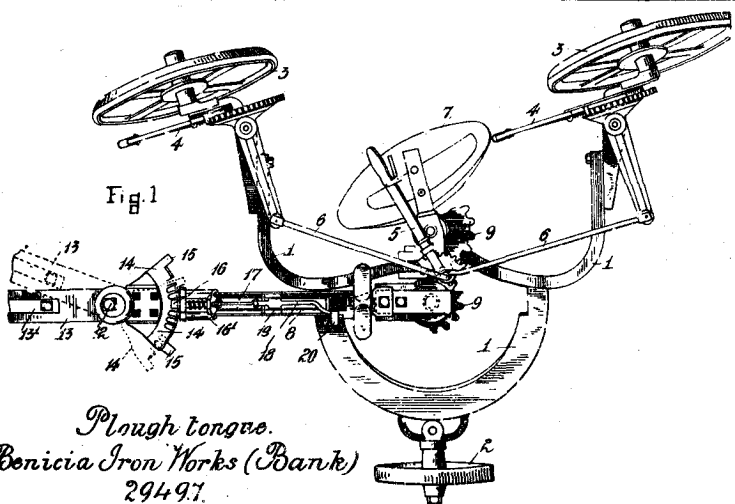
Bridle. Matheson. 28302.



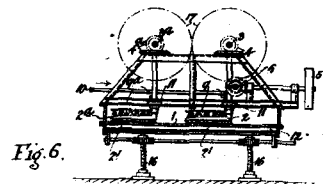
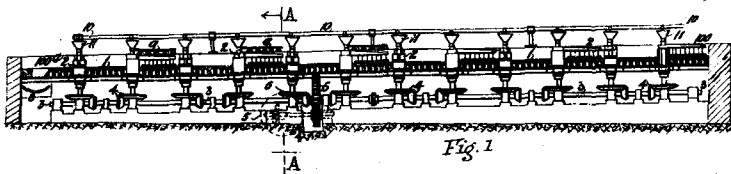
Envelope.  
Cowles Colling & Co's Ltd.  
(Bristol). 29796.



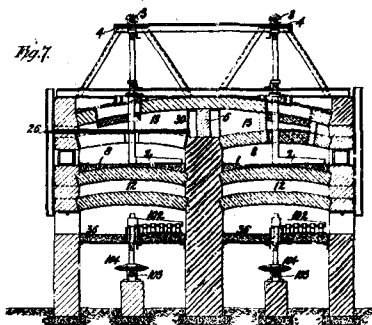
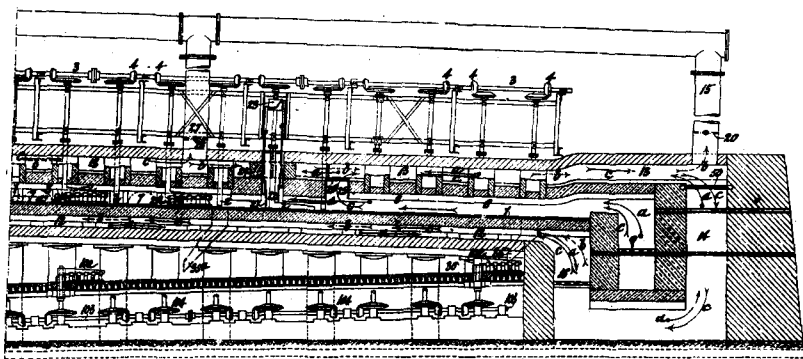
Plough. Mc Rae. 28366.



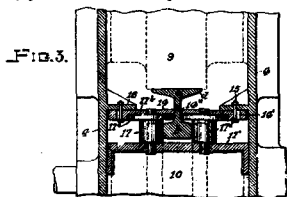
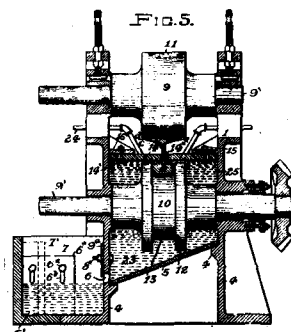
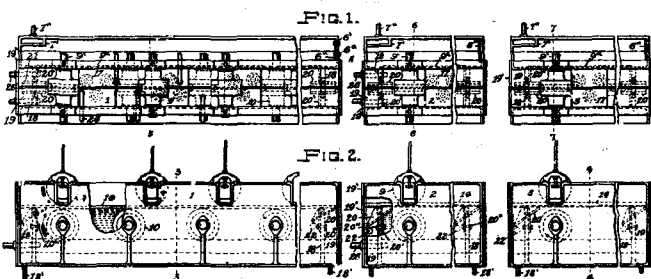
Plough tongue.  
Benicia Iron Works (Bank)  
29497.



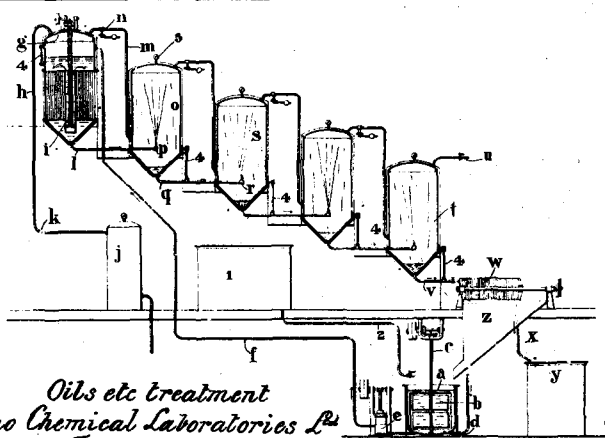
*Furnace hearth. Edwards. 29792.*



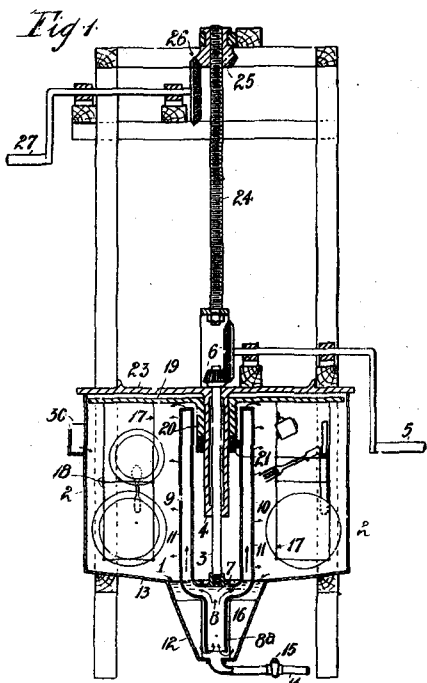
*Furnace, ore roasting, &c. Edwards. 29793.*



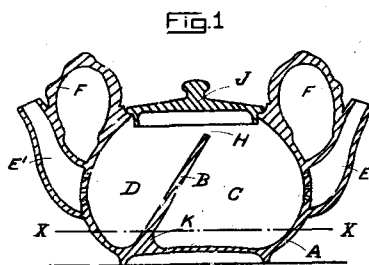
*Rail etc treatment. Russell. 29771.*



*Oils etc treatment  
Techno Chemical Laboratories Ltd  
(Jestrup). 29824.*

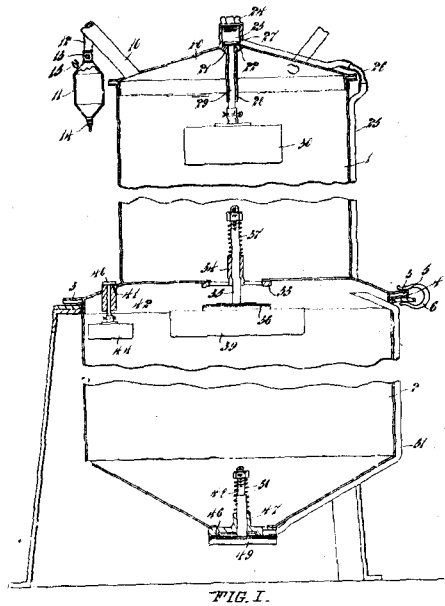


*Utensil washer. Nicol. 29790*

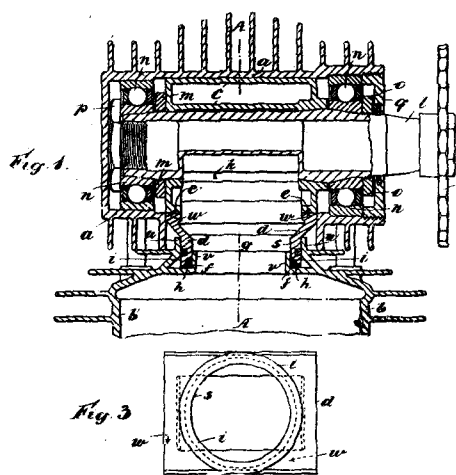


*Tea-pot etc. Bromwich. 29834.*

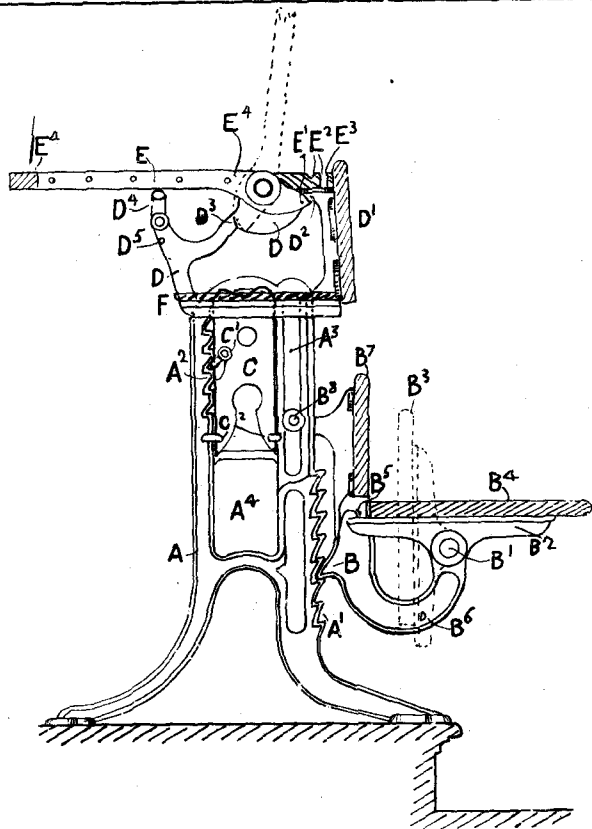




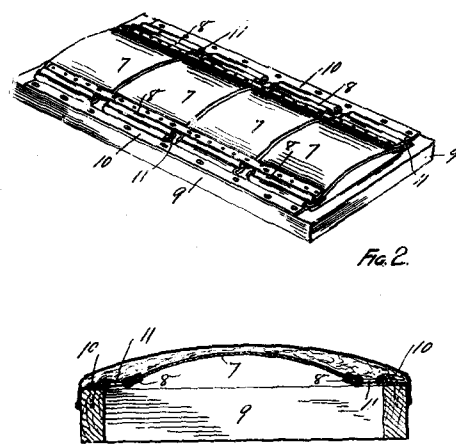
Milk release. Davis. 29761.



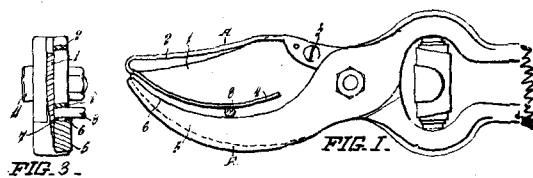
Internal combustion engine valve. Buckman. 29750.



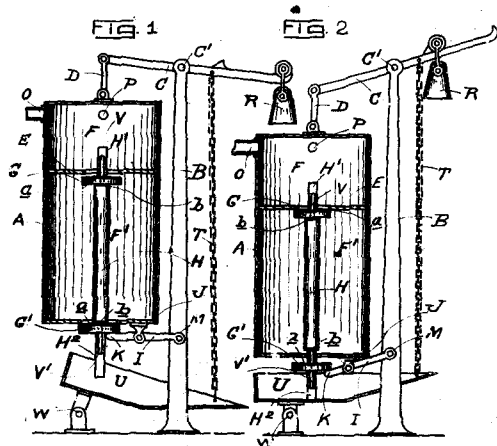
School desk. Barningham. 29770.



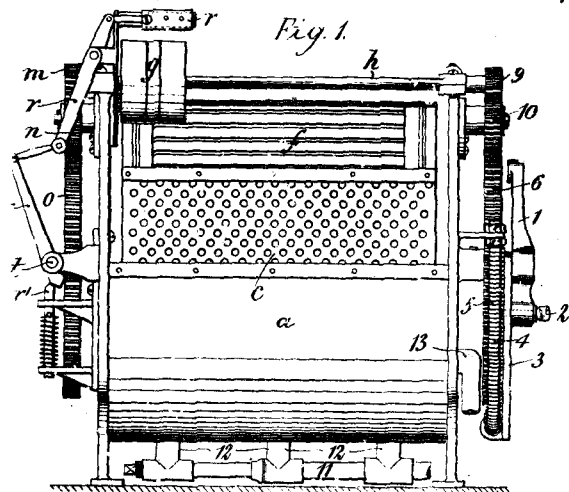
Steel seating. Bickford. 29784.



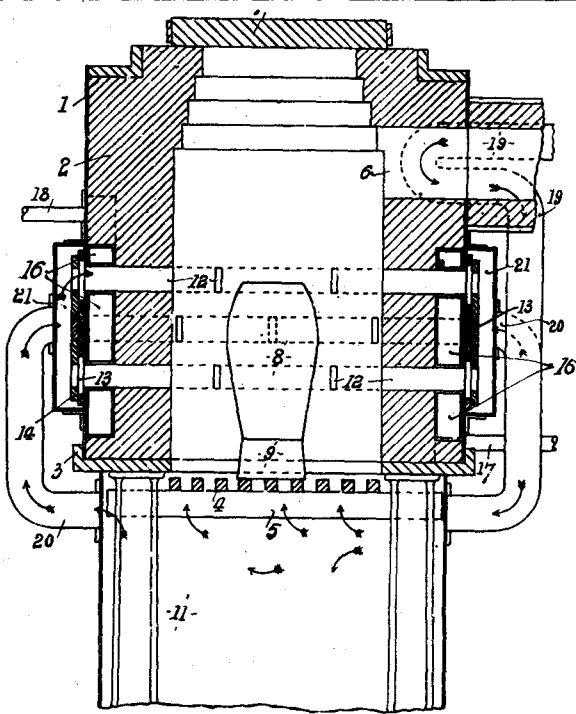
Scissors etc. Fear. 28950.



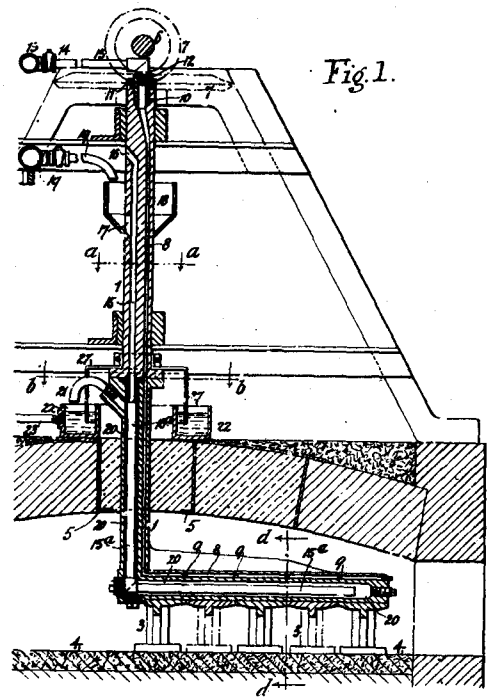
Milking machine releaser. Treloar. 29764.



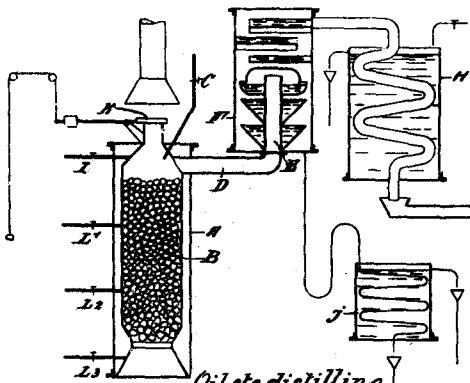
Washing dyeing etc machine. Gibbins. 29774.



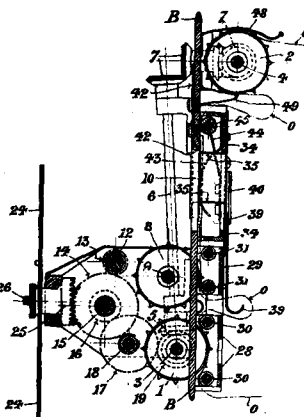
Furnace crucible. Chenhall. 29191.



Furnace crable. Edwards. 29194.



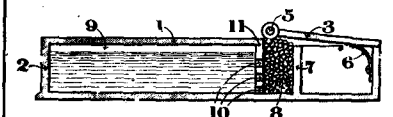
Oil etc distilling  
Blaugas-Patent-Gesellschaft  
m. b. H. (Blau) 29173



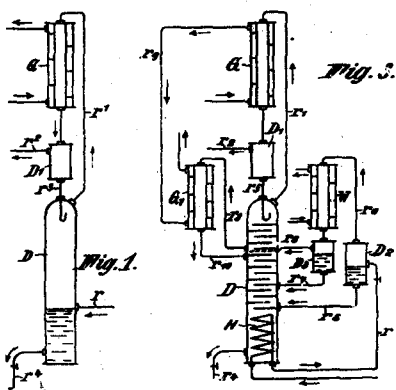
Cinematograph  
apparatus. Thomas. 29154



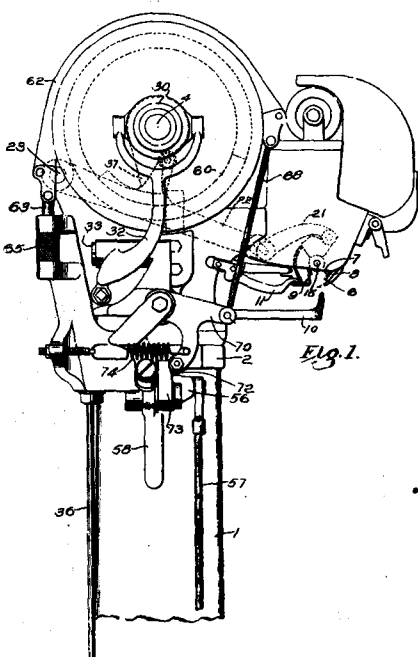
Biscuit Shredded Wheat Toy.  
(Wallace) 29175.



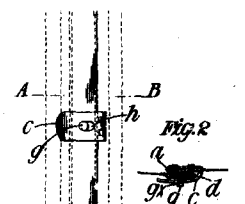
Envelope sealing device.  
Young & Gordon 29519



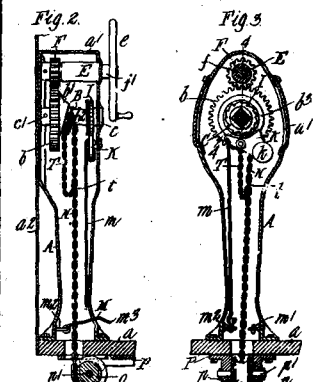
Gas manufacture.  
Blaugas-Patent-Gesellschaft  
m. b. H. (Blau) 29172.



Sewing machine. United Shoe  
Machinery Co (Plant) 29163



Corset fastener.  
Hahn. 29810.



Brake chain winding  
mechanism. Ackley. 29198.